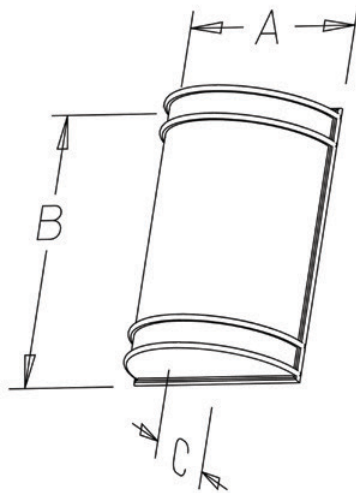


HOPS2 Sconce LED



APPLICATIONS

Corridors, Stairwells,
Bathrooms, Office space



Dimensions	A	B	C
	7.5"	11.75"	4"

FEATURES

- 8WATT LED 1150 LUMENS
- 12 WATT LED 1650 LUMENS
- COLOR SELECT
- 3000, 3500, 4000 & 5000
- Rated for 50,000 Hours
- 5 Year Warranty On LED
- Replaces PL13 Bulbs
- Approximately 65% in Savings
- LED Emergency Backup Available

CONSTRUCTION

An enclosed and vented half cylinder Sturdy die-formed, 20 guage pre-painted steel housing. This ADA COMPLIANT half cylinder open sconce is accentuated by nickel or brass.

MOUNTING

Wall mounting. Mounts over electrical junction box. Mounting holes are provided. Lens mounts to housing via top and bottom screws.

FINISH

Pre-painted steel housing.

PLASTIC

Smooth or sanded white acrylic diffuser.

ELECTRICAL

Fixtures and components are all assembled by I.B.E.W. union workers, and are UL and NYC approved.

Knockouts are provided on the back and ends for all types of wiring.

Slide-on or snap-in sockets are provided.

Ballast and sockets are replaceable without removing the fixture from the mounting surface.

Standard ballasts are electronic 120v.

OPTIONS

Check product key or consult factory for available options.

Keystone Future Fit AC LED Driver
Phase Control Dimming
Rated for 50,000 Hours