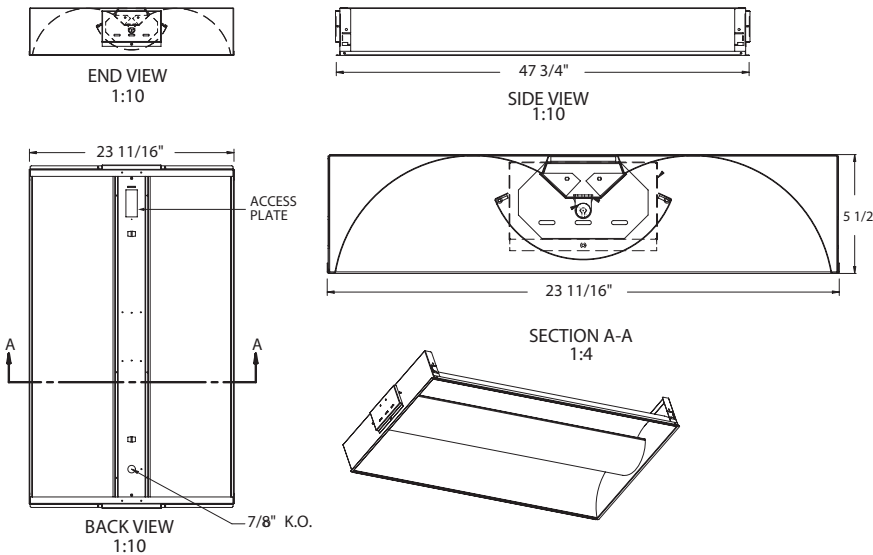


# 525 Center Basket LED



### APPLICATIONS

Offices, Class Rooms,  
Retail Stores, Hospitals



### CONSTRUCTION

Die formed and spot welded, heavy-gauge, cold rolled, steel housing assembly. Precision formed, cold rolled steel reflector. Die-formed, perforated cold rolled steel shielding. Metal shielding flexes over mounting studs on housing for easy installation and relamping. Wiring access plate is provided on back of housing, for flexible conduit attachment.

### MOUNTING

Holes provided for chain mounting support to building structure.

### FINISH

Powder painted matte white visible surfaces.

### PLASTIC

Shields are perforated for direct illumination and contain a translucent opal white acrylic overlay diffuser.

### ELECTRICAL

Fixtures and components are all assembled by I.B.E.W. union workers, and NYC approved. Knockouts are provided on the back and ends for all types of wiring.

### OPTIONS

Check product key or consult factory for available options.

### LED

**25w** 2 - Keystone Boards 2200 Lumens  
**40w** 2 - Keystone Boards 4200 Lumens  
 Keystone Drivers  
 0-10V Dimming

525 - CB - [ ] - [ ] - [ ] - [ ] = Product Number

Series	Description	# of Lamps	Wattage	Size	Voltage	Options
Center Basket	Center	2	25W-LED	2X2	UNV	EM - Emergency Ballast
	Basket	2	40W-LED	2X4		35K - 3500 Kelvin * 41K - 4100 Kelvin

\* Standard

**Center Basket** (Product Number eg.: 400-PV-214-T-277-R)