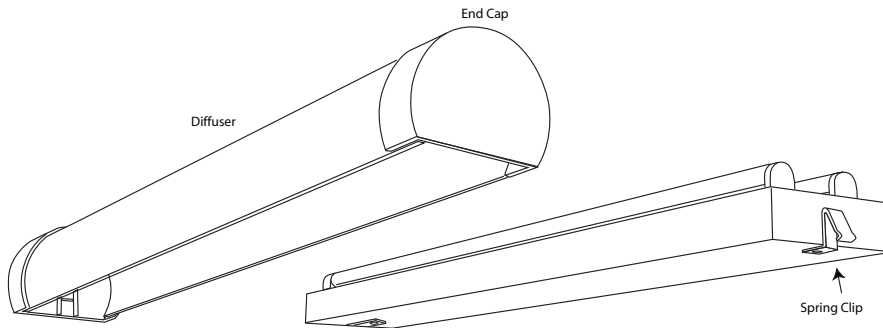
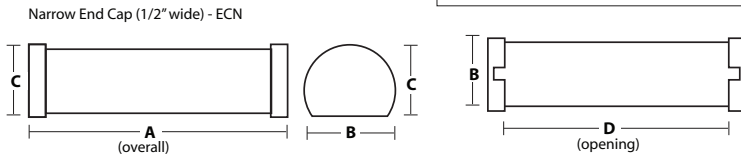




250 End Cap LED



Series	Length	A	B	C	D
ECN 2	25 1/2	4 3/4	4	24 1/8	
ECN 3	37 1/2	4 3/4	4	36 1/8	
ECN 4	49 1/2	4 3/4	4	48 1/8	



CONSTRUCTION

With sockets attached, ends can be folded down inside of body to protect sockets and provide for compact shipping and storage. When rotated 90 degrees into upright position, the ends snap in and lock. The economy pan, a basic all purpose fluorescent light fixture, has a wide range of applications. Die formed of 20 gauge cold rolled steel. The spring clips, when fastened to the strip fixture, creates a pressure fit mounting method, allowing the completed luminaire to be suitable for either vertical or horizontal wall mounts

MOUNTING

Fixtures are designed for surface mounting.

FINISH

Phosphate coated, highly reflective, baked, white enamel.

PLASTIC

The diffuser assembly consists of a solid white, clear fluted, or white fluted profile mated to a choice of end cap colors. In addition, the diffuser assemblies are ADA compliant. A wide range of colors are available from basic opaque white to a family of marble colors.

ELECTRICAL

Fixtures and components are all assembled by I.B.E.W. union workers, and are UL and NYC approved. Knockouts are provided on the back and ends for all types of wiring.

OPTIONS

CHECK PRODUCT KEY OR CONSULT FACTORY FOR AVAILABLE OPTIONS.

LED

13w 2 - Keystone Boards 2200 Lumens
25w 2 - Keystone Boards 4200 Lumens
 Keystone Drivers
 0-10v Dimming

250 - EC - [] - [] - [] - [] - [] = Product Number

Series	Description	# of Lamps	Wattage	Voltage	Color	Diffuser	Options
EndCap		13W-LED 25W-LED	UNV			EM - Emergency Ballast 35K - 3500 Kelvin * 41K - Kelvin	

* Standard

End Cap (Product Number eg.: 400-PV-214-T-277-R)