

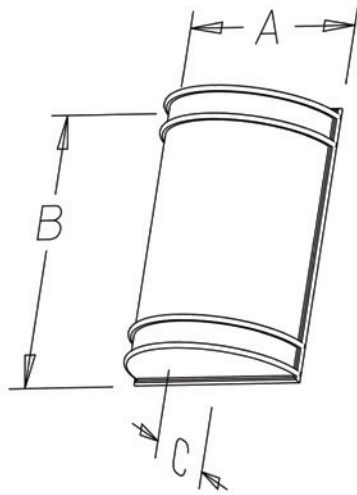


HOPS2 Sconce



APPLICATIONS

Corridors, Stairwells,
Bathrooms, Office space



Dimensions	A	B	C
	7.5"	11.75"	4"

CONSTRUCTION

An enclosed and vented half cylinder sturdy die-formed, 20 gauge pre-painted steel housing. This ADA COMPLIANT half cylinder open sconce is accentuated by nickel or brass.

MOUNTING

Wall mounting. Mounts over electrical junction box. Mounting holes are provided. Lens mounts to housing via top and bottom screws.

FINISH

Pre-painted steel housing.

PLASTIC

Smooth or sanded white acrylic diffuser.

ELECTRICAL

Fixtures and components are all assembled by I.B.E.W. union workers, and are UL and NYC approved.

Knockouts are provided on the back and ends for all types of wiring.

Slide-on or snap-in sockets are provided.

Ballast and sockets are replaceable without removing the fixture from the mounting surface.

Standard ballasts are electronic 120v.

OPTIONS

Check product key or consult factory for available options.

HOPS2	-	SC	-	2	-	UNV	-	Product Number
Series	Description	# of Lamps	Wattage/Size	Voltage	Options			
	SConce	2	13-13w PL Lamp 4 pin 18-18w PL Lamp 4 pin 26-26w PL Lamp 4 pin	UNV	BN - Brushed Nickel BB - Brushed Brass SN - Smooth Plastic SD - Sanded Plastic			
New Concept		(Product Number eg.: 400-PV-214-T-277-R)						