

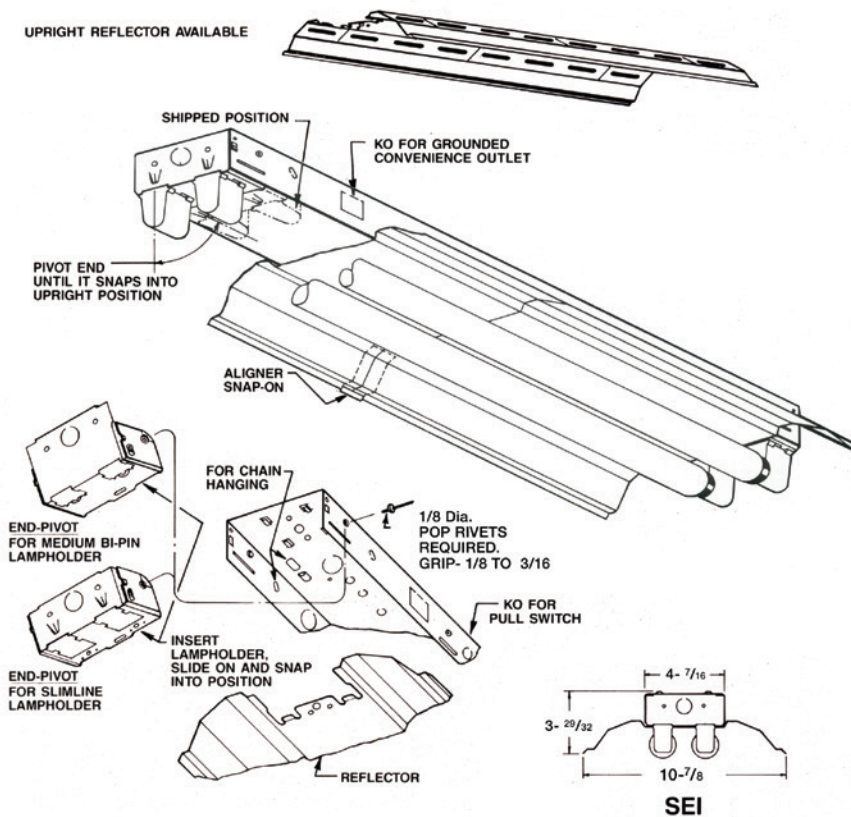
900 Pivot Industrial



APPLICATIONS

General Lighting, Warehouses,
Manufacturing Areas,
Storage Rooms, Parking Garages

UPRIGHT REFLECTOR AVAILABLE



CONSTRUCTION

With sockets attached, ends can be folded down inside of body to protect sockets and provide for compact shipping and storage. When rotated 90 degrees into upright position, the ends snap in and lock. This economy industrial is a basic all-purpose fluorescent light fixture with a wide range of applications.

Die-formed of 20 gauge cold rolled steel. Side knockouts are included for a convenient outlet switch and conduit. Chain hanger slots are also provided on the sides and back.

One end of reflector slides into socket plate and the other end is held on by a cam lock (available upon request). Fabricated in two pieces for 96" bodies for easy installation.

Ends pop into position and accept slide-on or screw-on sockets.

MOUNTING

Fixtures are designed for surface, stem, or chain hanging. Can be installed as individual units or in continuous rows.

FINISH

Phosphate coated, highly reflective baked white enamel.

ELECTRICAL

Fixtures and components are all assembled by I.B.E.W. union workers, and are UL and NYC approved.

Knockouts are provided on the back and ends or all types of wiring.

Slide-on or snap-in sockets are provided.

Ballast and sockets are replaceable without removing the fixture from the mounting surface. Standard ballasts are electronic 120v.

OPTIONS

Check product key or consult factory for available options.

900	-	PV	-		-		-		-		=	Product Number
Series	Description	# of Lamps	Wattage	Size	Voltage	Options						
Pivot Industrial		1	40-40w T12	T-8'	120v	EM - Emergency Ballast						
		2	48-48w T12	Tandem	277v	HO - High Output**						
			96-96w T12		UNV	Dim - Dimmable Ballast						
			32-32w T8			UPLite - 10% Up Light						
			59-59w T8									
			28-28w T5									
			54-54w T5-HO									
Pivot Industrial											(Product Number eg.: 400-PV-214-T-277-R)	