

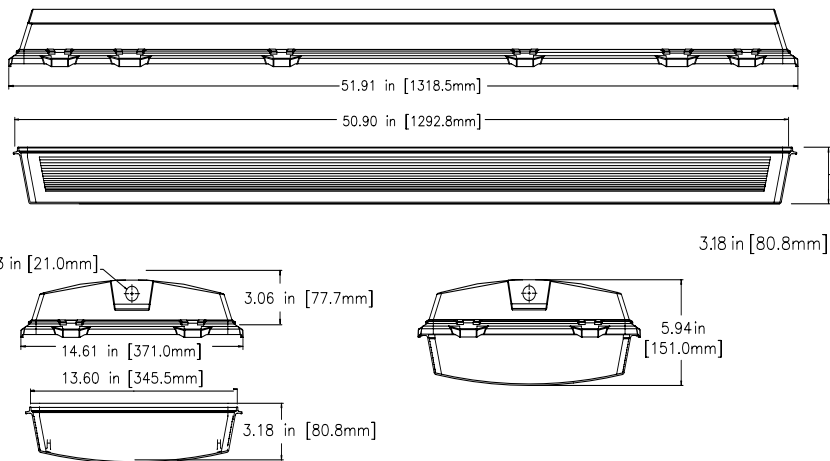


855 Citadel



APPLICATIONS

Food processing facilities, commercial kitchens, industrial facilities, parking garages, under awnings, laundries, utility tunnels, car washes, wet, damp or dusty environments.



CONSTRUCTION

Wide profile designed around T8 and T5 lamps for long term energy savings. Poured-in-place gasket and stainless steel latches seal the enclosures from most hostile environments. Very tough diffusers resist breakage and reduce replacement and maintenance costs. Utilizes off-the-shelf 1/2" fittings. Tamper resistant stainless steel latches: standard.

MOUNTING

Economical Mounting Options can provide dramatic savings on the installation labor. Mounting options for V-Hook or cable systems. Knockouts are provided on the back and ends for all types of wiring.

OPTICS

OPTIONAL SPECULAR REFLECTORS PROVIDE NARROW BEAM DISTRIBUTION.

ELECTRICAL

Fixtures and components are all assembled by I.B.E.W. union workers, and are UL and NYC approved. UL evaluated for 25 & 40 degree C ambient temperatures. Tested and certified by NSF international. UL Wet Location, NEMA 4X, IP66, IP67, ROHS

OPTIONS

4 and 6 lamp configurations are available for both T5 and T8 to best meet your specific needs. Optional specular reflectors.

855	-	CI	-		-		-		-		=	Product Number
Series	Discription	# of Lamps	Wattage	Size	Voltage	Options						
	Citadel	4	28-28w T5		120v	EM - Emergency Ballast						
		6	32-32w T8		UNV	HO - High Output						
			54-54w T5			Dim - Dimable Ballast						
						R - Specular Reflectors						
Citadel VP							(Product Number eg.: 400-PV-214-T-277-R)					