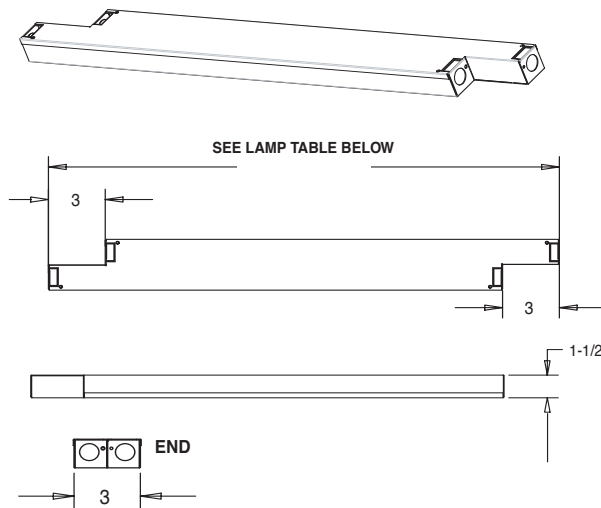


# 683 Staggered Strip



### APPLICATIONS

Cove Lighting, Retail Store, Signage, Display



SEE LAMP TABLE BELOW

REV 3-1-05

T5	
SIZE	LENGTH
(2) 14W	25-7/16
(2) 21W	37-9/32
(2) 28W	49-1/16
(4) 21W (T)	71-9/16
(4) 28W (T)	95-1/8

T8	
SIZE	LENGTH
(2) 17W	27
(2) 25W	39
(2) 32W	51
(4) 25W (T)	75
(4) 32W (T)	99

### CONSTRUCTION

Die and brake formed 20 guage pre-painted white cold-rolled steel housing. End caps may be joined for continuous row mounting. Knockouts are provided on ends for through wiring.

### MOUNTING

Designed for surface mounting. Mounting holes provided.

### FINISH

Phosphate coated, highly reflective, baked white enamel.

### ELECTRICAL

Fixtures and components are all assembled by I.B.E.W. union workers, and are UL and NYC approved.

Knockouts are provided on the back and ends for all types of wiring.

Slide-on or snap-in sockets are provided.

Ballast and sockets are replaceable without removing the fixture from the mounting surface.

Standard ballasts are electronic 120v.

### OPTIONS

Check product key or consult factory for available options.

683 - ST - [ ] - [ ] - [ ] - [ ] = Product Number

Series	Description	# of Lamps	Wattage	Size	Voltage	Options
683	Staggered Strip	1	20-20w T12		120v	EM - Emergency Ballast
		2	30-30w T12		277v	HO - High Output*
			40-40w T12		UNV	Dim - Dimmable Ballast
			17-17w T8			
			25-25w T8			
			32-32w T8			
			14-14w T5			
			21-21w T5			
			28-28w T5			
			24-24w T5-HO			
			39-39w T5-HO			
			54-54w T5-HO			

Staggered Strip

(Product Number eg.: 400-PV-214-T-277-R)

\* Only available in T5