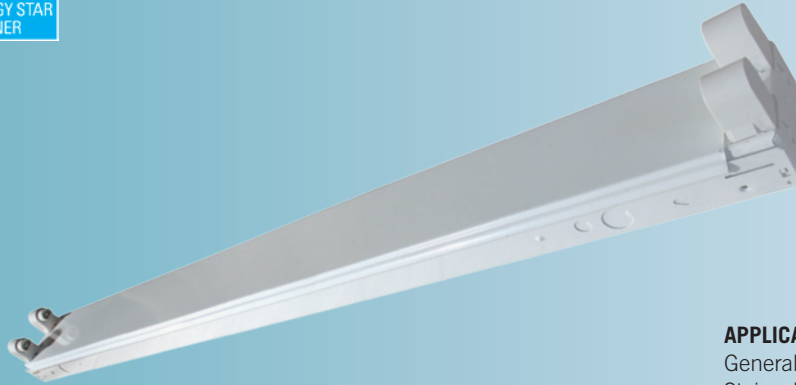


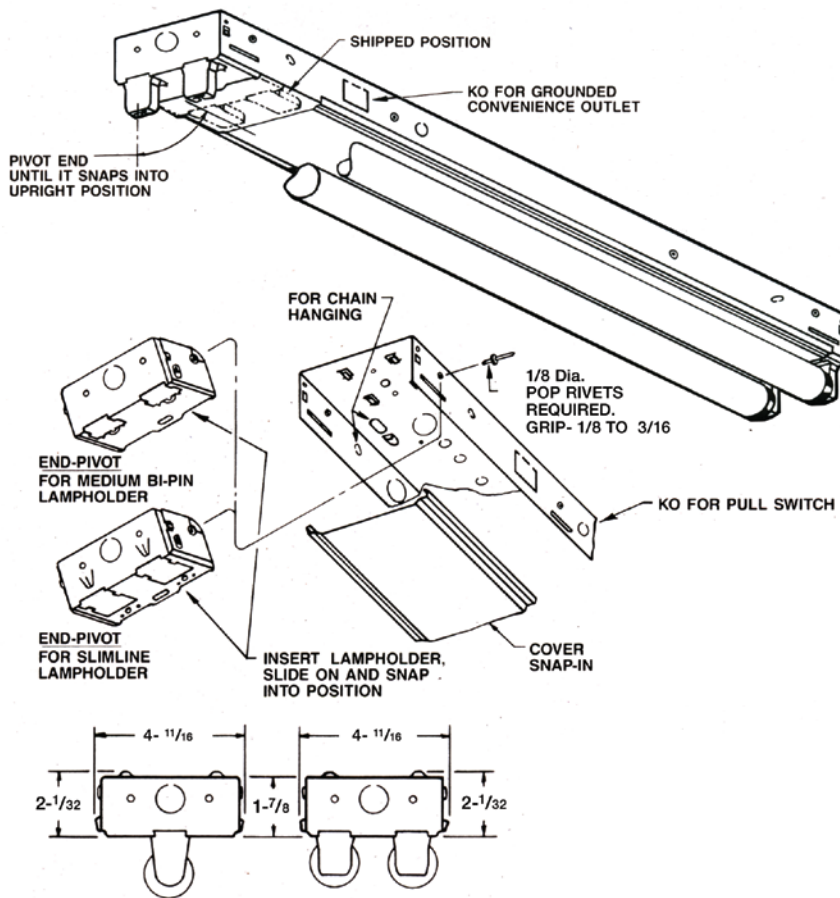


450 Pivot Pan



APPLICATIONS

General Lighting, Warehouses, Stairwells, Displays, Coves, Storage rooms, Manufacturing areas



CONSTRUCTION

With sockets attached, ends can be folded down inside of body to protect sockets and provide for compact shipping and storage. When rotated 90 degrees into upright position, the ends snap in and lock.

The economy pan, a basic all purpose fluorescent light fixture, has a wide range of applications.

Die-formed of 20 gauge cold rolled steel, Side knockouts are included for a convenient outlet switch and conduit. Chain hanger slots are also provided on the sides and back.

Snap-on pan cover is fabricated in two pieces for 96" bodies for easy installation. Ends pop into position and accept slide-on or screw-on sockets.

MOUNTING

Fixtures are designed for surface, stem, or chain hanging. Can be installed as individual units or in continuous rows.

FINISH

Phosphate coated, highly reflective, baked, white enamel.

ELECTRICAL

Fixtures and components are all assembled by I.B.E.W. union workers, and are UL and NYC approved.

Knockouts are provided on the back and ends for all types of wiring.

Slide-on or snap-in sockets are provided.

Ballast and sockets are replaceable without removing the fixture from the mounting surface.

Standard ballasts are electronic 120v.

OPTIONS

Check product key or consult factory for available options.

450 - PV - [] - [] - [] - [] = Product Number

Series	Description	# of Lamps	Wattage	Size	Voltage	Options
PiVot Pan		1	48-48w T12-4'		120v	EM - Emergency Ballast
		2	72-72w T12-6'		277v	WG - Wire Guard
			96-96w T12-8'		UNV	R - Silver Reflector
			54-54w T8-8'			HO - High Output

Pivot Pan (Product Number eg.: 400-PV-214-T-277-R)