

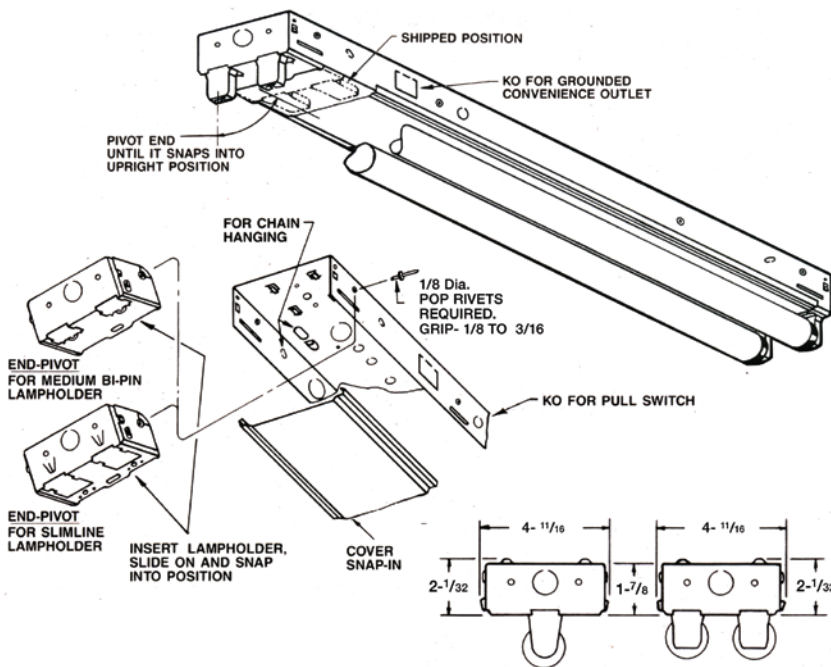


400 Pivot Pan LED



APPLICATIONS

General Lighting Warehouses, Stairwells, Displays, Coves, Storage rooms, Manufacturing areas.



CONSTRUCTION

With sockets attached, ends can be folded down inside of body to protect sockets and provide for compact shipping and storage. When rotated 90 degrees into upright position, the ends snap in and lock.

The economy pan, a basic all purpose fluorescent light fixture, has a wide range of applications.

Die formed of 20 gauge cold rolled steel, Side knockouts are included for a convenient outlet switch and conduit. Chain hanger slots are also provided on the sides and back.

Snap on pan cover is fabricated in two pieces for 96" bodies for easy installation. Ends pop into position and accept slide-on or screw-on sockets.

MOUNTING

Fixtures are designed for surface, stem, or chain hanging. Can be installed as individual units or in continuous rows.

FINISH

Phosphate coated, highly reflective, baked, white enamel.

ELECTRICAL

Fixtures and components are all assembled by I.B.E.W. union workers, and NYC approved.

Knockouts are provided on the back and ends for all types of wiring.

Slide-on or snap-in sockets are provided.

Sockets are replaceable without removing the fixture from the mounting surface.

OPTIONS

Check product key or consult factory for available options.

400 - PV - [] - [] - [] - [] = Product Number

Series	Discription	# of Lamps	Wattage	Size	Voltage	Options
	PiVot Pan	2	220-LED	2FT	UNV	EM - Emergency Ballast
		3*	240-LED	4FT		WG - Wire Guard
			240-T-LED	8FT		R - Silver Reflector

** Fixtures are designed for Direct Power LED Tubes
No Ballast Necessary

Pivot Pan

(Product Number eg.: 400-PV-214-T-277-R)

* White only available in T5 and T8 ** Only available n T5