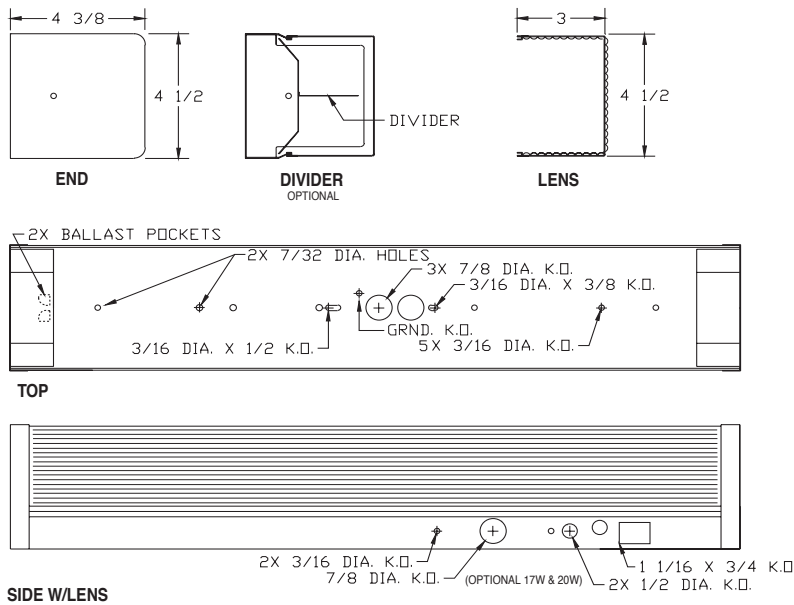


213 Wrap Motion LED



APPLICATIONS

Corridors, Stairwells, Bathrooms



CONSTRUCTION

Die-formed and spot welded 20 guage cold rolled steel housing.

Plastic is held in place on both ends by end caps with a single acorn type nut.

Spot welded for maximum rigidity.

MOUNTING

Wall or ceiling mounted. Mounts over electrical junction box. Mounting holes are provided.

End caps can be removed for continuous row mounting with optional joiner band.

FINISH

Phosphate coated, highly reflective, baked, white enamel. Also available in white, walnut, chrome, oak or brass

PLASTIC

Acrylic, clear prismatic, standard diffuser or acrylic, smooth white diffuser.

ELECTRICAL

Fixtures and components are all assembled by I.B.E.W. union workers, and NYC approved.

Knockouts are provided on the back and ends for all types of wiring.

Keystone LED Boards and Driver

Rated for 50,000 Hours

0-10v Dimming.

Hytronik Tri-Level Control HF Sensor

Stand-by Dimming Levels 10%/20%/30%/50%

OPTIONS

Check product key or consult factory for available options.

213 - WR - [] - [] - [] - [] = Product Number

Series	Description	# of Lamps	Wattage	Size	Voltage	Options
	WRap		13W-LED	2FT	UNV	WH - Smooth white plastic
			25W-LED	4FT		EM - Emergency Ballast
			40W-LED	4FT		MH - Mouse Hole Ends
			13W - 2200 Lumens			
			25W - 4200 Lumens			
			40W - 5400 Lumens			

Wraparound

(Product Number eg.: 400-PV-214-T-277-R)