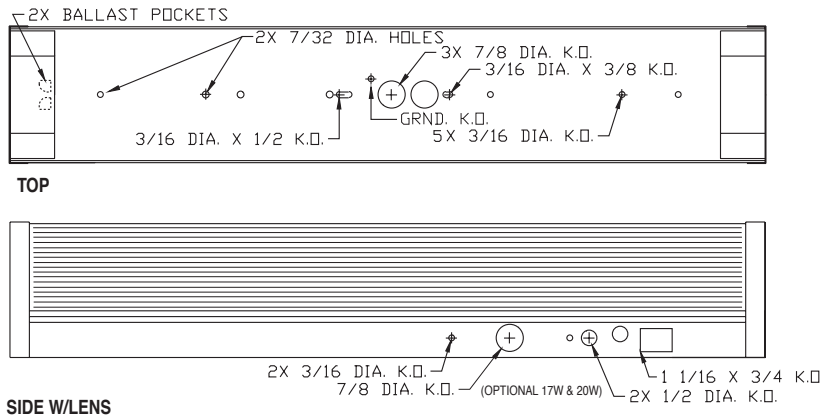
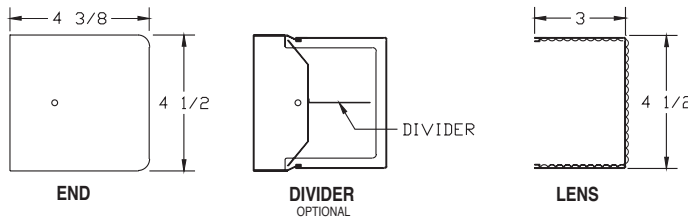


213 Wrap LED Bulbs



APPLICATIONS

Corridors, Stairwells, Bathrooms



REV 3-1-05

213 - WR - [] - [] - [] - [] = Product Number

Series	Description	# of Lamps	Wattage	Size	Voltage	Options
WR	Wraparound	1	120-LED	2FT	UNV	CO - Conv. Outlet
		2	220-LED	2FT		SW - Switch
			140-LED	4FT		WH - Smooth white plastic
			240-LED	4FT		EM - Emergency Ballast
						MS - Motion Sensor
						MH - Mouse Hole Ends

**Fixtures are designed for Direct Power LED Tubes
No Ballast Necessary

Wraparound (Product Number eg.: 400-PV-214-T-277-R)

CONSTRUCTION

Die-formed and spot welded 20 guage cold rolled steel housing.
Plastic is held in place on both ends by end caps with a single acorn type nut.
Spot welded for maximum rigidity.

MOUNTING

Wall or ceiling mounted. Mounts over electrical junction box. Mounting holes are provided.
End caps can be removed for continuous row mounting with optional joiner band.

FINISH

Phosphate coated, highly reflective, baked, white enamel. Also available in white, walnut, chrome, oak or brass

PLASTIC

Acrylic, clear prismatic, standard diffuser or acrylic, smooth white diffuser.

ELECTRICAL

Fixtures and components are all assembled by I.B.E.W. union workers, and NYC approved.

Knockouts are provided on the back and ends for all types of wiring.

Slide-on or snap-in sockets are provided. Sockets are replaceable without removing the fixture from the mounting surface.

OPTIONS

Check product key or consult factory for available options.