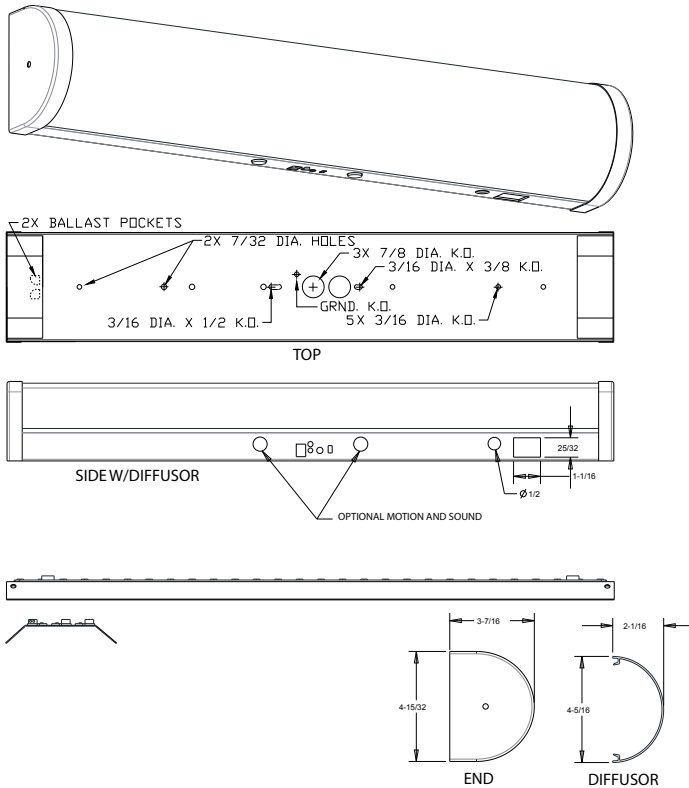




202 Wrap LED



CONSTRUCTION

Die-formed and spot welded 20 gauge cold rolled steel housing.

Plastic is held in place on both ends by end caps with a single acorn type nut.

Spot welded for maximum rigidity.

MOUNTING

Wall mounted. Mounts over electrical junction box. End caps can be removed for continuous row mounting with optional joiner band.

FINISH

White. All Ends White Powder Coated.

PLASTIC

Smooth white acrylic.

ELECTRICAL

Fixtures and components are all assembled by I.B.E.W. union workers, and NYC approved.

Knockouts are provided on the back and ends for all types of wiring.

OPTIONS

Check product key or consult factory for available options.

Keystone LED Boards and Drivers

0-10v Dimming

Rated for 50,000 Hours

202 - WR - [] - [] - [] - [] = Product Number

Series	Description	# of Lamps	Wattage	Size	Voltage	Options
WR	Wraparound	13w-LED		2ft	UNV	EM - Emergency Pack MS - Motion Sensor
		25w-LED		4ft		
		40w-LED		4ft		
		13w-2200 Lumens				
		25w-4200 Lumens				
		40w-5400 Lumens				

Wraparound

(Product Number eg.: 400-PV-214-T-277-R)