

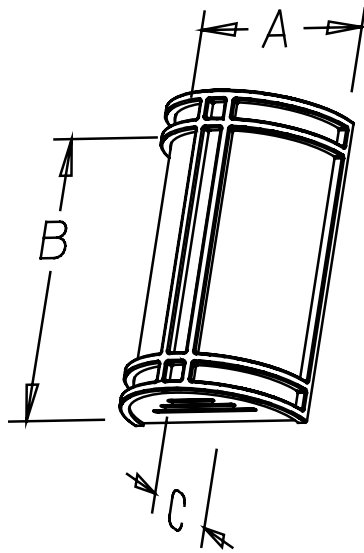


# HOPS3 Sconce



### APPLICATIONS

Corridors, Stairwells,  
Bathrooms, Office space



Dimensions	A	B	C
	7.5"	10.75"	4.00"

### CONSTRUCTION

Sturdy die-formed, 20 gauge pre-painted steel housing. This ADA COMPLIANT enclosed and vented half cylinder sanded or smooth white acrylic diffuser is accentuated by a faux finished grid trim.

### MOUNTING

Wall mounting. Mounts over electrical junction box. Mounting holes are provided. Lens mounts to housing via top and bottom screws.

### FINISH

Pre-painted steel housing.

### PLASTIC

Smooth or sanded white acrylic diffuser.

### ELECTRICAL

Fixtures and components are all assembled by I.B.E.W. union workers, and are UL and NYC approved.

Knockouts are provided on the back and ends for all types of wiring.

Slide-on or snap-in sockets are provided.

Ballast and sockets are replaceable without removing the fixture from the mounting surface.

Standard ballasts are electronic 120v.

### OPTIONS

Check product key or consult factory for available options.

HOPS3	-	SC	-	2	-	UNV	-	=	Product Number
Series	Description	# of Lamps	Wattage/Size	Voltage	Options				
	SConce	2	13-13w PL Lamp 4 pin 18-18w PL Lamp 4 pin 26-26w PL Lamp 4 pin	UNV	SV - Siene Verde FB - Flat Black WH - White AB - Antique Brass AP - Antique Pewter				
					Diffuser Finishes				
					SD - Sanded				
					SM - Smooth				
<b>New Concept</b>					(Product Number eg.: 400-PV-214-T-277-R)				