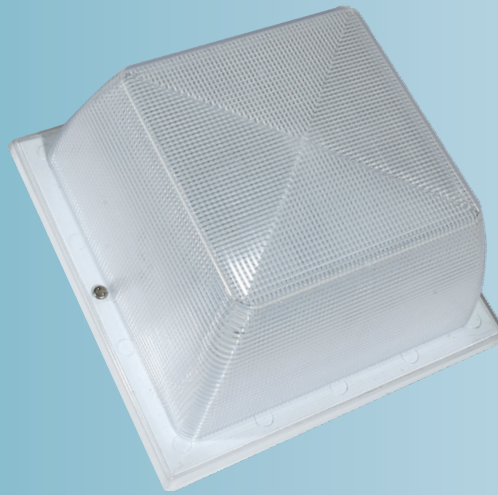
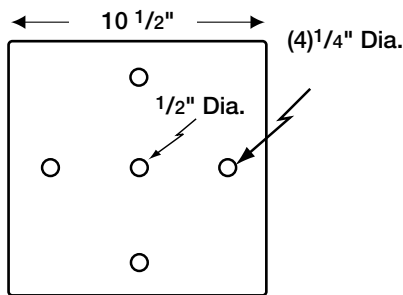
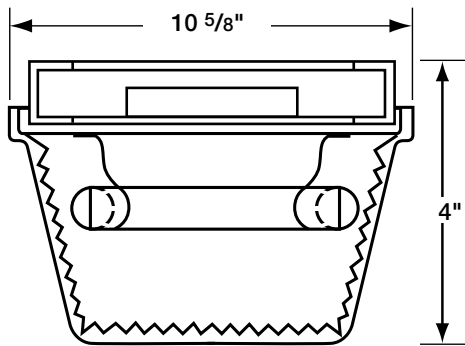


# 722 Vandal Proof



### APPLICATIONS

Hallways, Parking Garages,  
Stairwells, Common Areas,  
Commercial, Institutional



Back View

### CONSTRUCTION

Die-formed, steel with baked white enamel finish. Crown top with interior and exterior prismatic finish. For use in high abuse areas. Plastic is held in place on two ends with two tamper-proof, stainless steel screws.

### MOUNTING

Wall or ceiling mounted. Mounts over electrical junction box. Mounting holes are provided.

### FINISH

Phosphate coated, highly reflective, baked white enamel.

### OPTICS

Clear prismatic or clear polycarbonate diffuser.

### ELECTRICAL

Fixtures and components are all assembled by I.B.E.W. union workers, and are UL and NYC approved.

Knockouts are provided on the back and ends for all types of wiring.

Slide-on or snap-in sockets are provided.

Ballast and sockets are replaceable without removing the fixture from the mounting surface.

Standard ballasts are electronic 120v.

### OPTIONS

Check product key or consult factory for available options.

722 - VP - [ ] - 120v - [ ] = Product Number

Series	Description	# of Lamps	Wattage	Size	Voltage	Options
	Vandal	1	22w		120v	
	Proof	1	PL13-13w Compact			
		2	PL13-13w Compact			

Vandal Proof

(Product Number eg.: 400-PV-214-T-277-R)