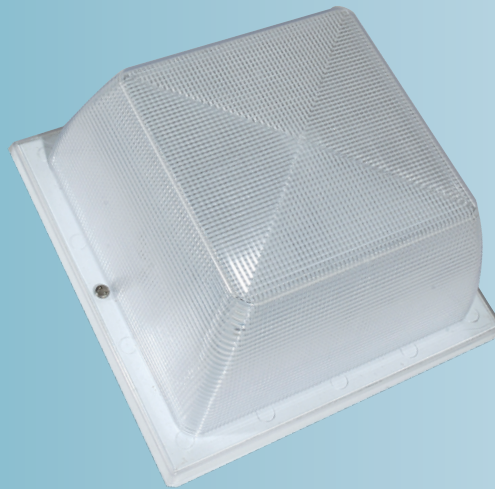
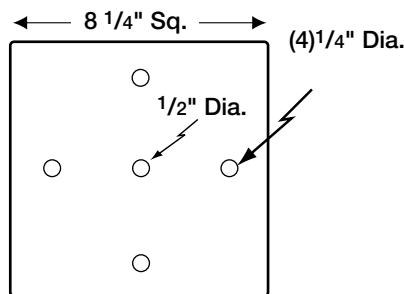
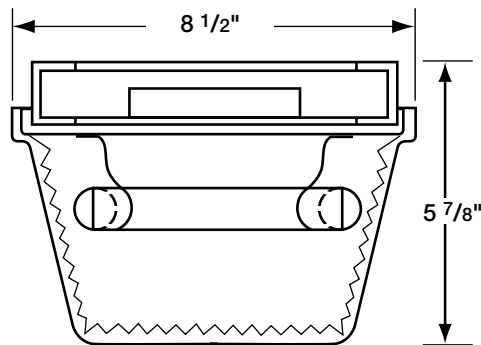


719 Vandal Proof



APPLICATIONS

Hallways, Parking Garages,
Stairwells, Common Areas,
Commercial, Institutional



Back View

719	-	VP	-		-	20	-		-	120v	-		= Product Number
Series	Discription	# of Lamps	Wattage	Size	Voltage	Options							
	Vandal Proof		20w		120v								

Vandal Proof (Product Number eg.: 400-PV-214-T-277-R)

CONSTRUCTION

Die-formed, cold rolled steel with baked white enamel finish. Crown top with interior and exterior prismatic finish. For use in high abuse areas. Plastic is held in pace on two ends with two tamper-proof, stainless steel screws.

MOUNTING

Wall or ceiling mounted. Mounts over electrical junction box. Mounting holes are provided.

FINISH

Phosphate coated, highly reflective, baked white enamel.

OPTICS

Clear prismatic or clear polycarbonate diffuser.

ELECTRICAL

Fixtures and components are all assembled by I.B.E.W. union workers, and are UL and NYC approved.

Knockouts are provided on the back and ends for all types of wiring.

Slide-on or snap-in sockets are provided.

Ballast and sockets are replaceable without removing the fixture from the mounting surface.

Standard ballasts are electronic 120v.

OPTIONS

Check product key or consult factory for available options.