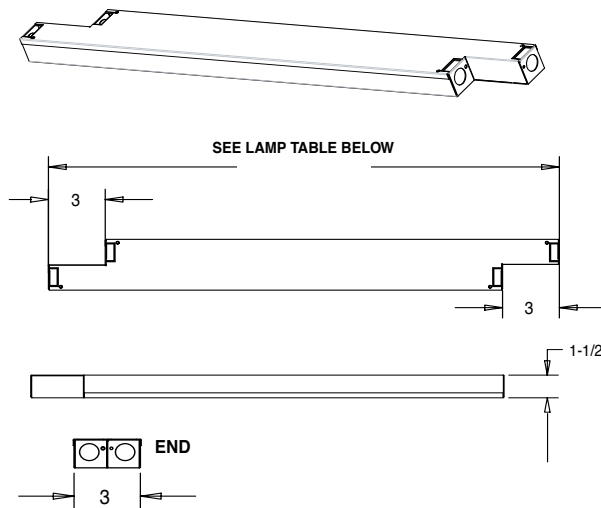


683 Staggered Strip



APPLICATIONS

Cove Lighting, Retail Store, Signage, Display



T5	
SIZE	LENGTH
(2) 14W	25-7/16
(2) 21W	37-9/32
(2) 28W	49-1/16
(4) 21W (T)	71-9/16
(4) 28W (T)	95-1/8

T8	
SIZE	LENGTH
(2) 17W	27
(2) 25W	39
(2) 32W	51
(4) 25W (T)	75
(4) 32W (T)	99

REV 3-1-05

CONSTRUCTION

Die and brake formed 20 gauge pre-painted white cold-rolled steel housing. End caps may be joined for continuous row mounting. Knockouts are provided on ends for through wiring.

MOUNTING

Designed for surface mounting. Mounting holes provided.

FINISH

Phosphate coated, highly reflective, baked white enamel.

ELECTRICAL

Fixtures and components are all assembled by I.B.E.W. union workers, and are UL and NYC approved.

Knockouts are provided on the back and ends for all types of wiring.

Slide-on or snap-in sockets are provided.

Ballast and sockets are replaceable without removing the fixture from the mounting surface.

Standard ballasts are electronic 120v.

OPTIONS

Check product key or consult factory for available options.

683 - **ST** - - - - - = **Product Number**

Series	Description	# of Lamps	Wattage	Size	Voltage	Options
683	STaggered	1	17-17w	T8	120v	EM - Emergency Ballast
	Strip	2	25-25w	T8	UNV	HO - High Output*
			32-32w	T8		Dim - Dimmable Ballast
			14-14w	T5		
			21-21w	T5		
			28-28w	T5		
			24-24w	T5-HO		
			39-39w	T5-HO		
			54-54w	T5-HO		

Staggered Strip

(Product Number eg.: 400-PV-214-T-277-R)

* Only available in T5