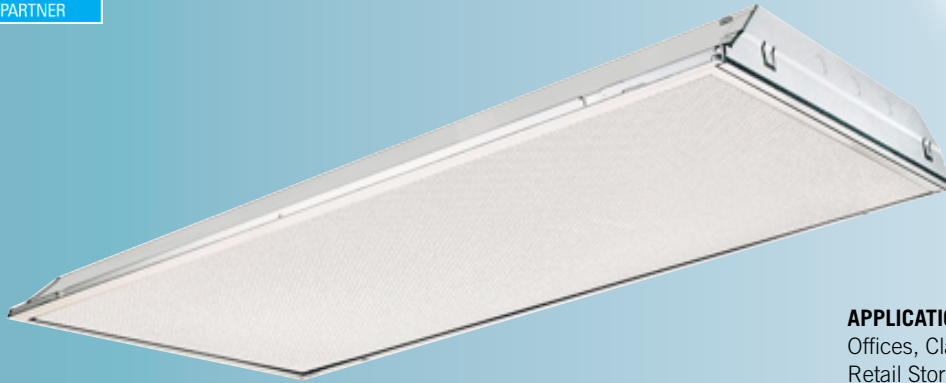


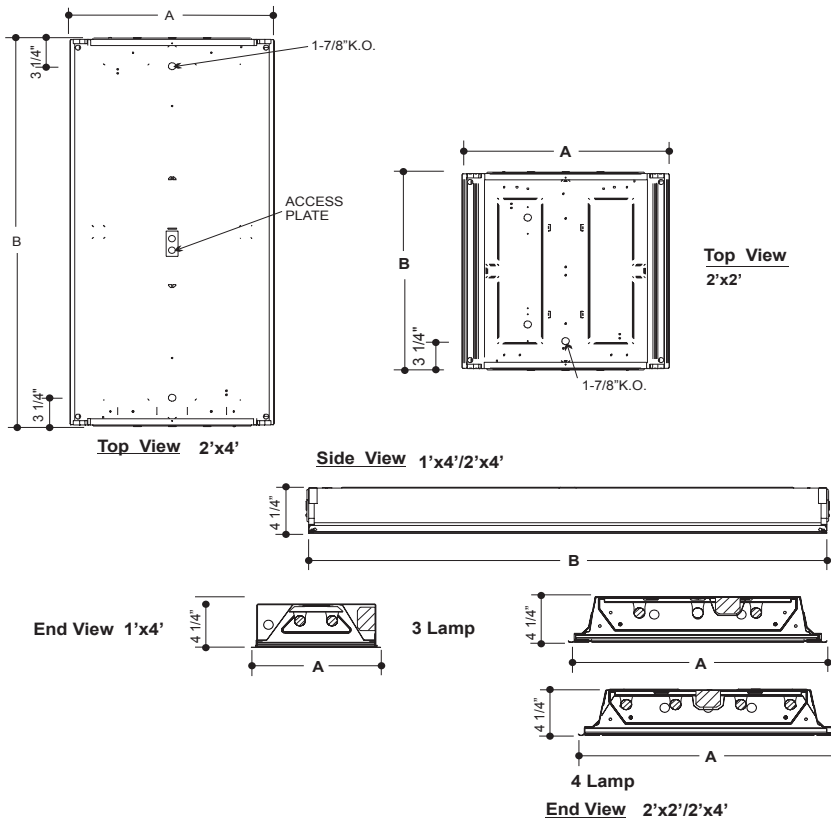
525 Economy Layin 1x4 LED



APPLICATIONS

Offices, Class Rooms
Retail Stores, Hospitals

Series Dimensions



CONSTRUCTION

Die-formed and embossed, 20 gauge pre-painted white cold rolled steel housing assembly. Embossed housing for strength and rigidity. Wiring access plate or knockouts are provided on back of housing, for flexible conduit attachment. (4' Units only.) Knockouts are provided on ends for through wiring. Ballast cover snaps into place eliminating the need for tools when accessing the ballast. Diffuser is held within a hinged frame door. The heavy gauge door frame hinges downward, on either side, and is held in the closed position by two positive cam latches. The metal-to-metal design of the door eliminates most light leaks.

MOUNTING

Lay-in type fixture for exposed grid type acoustical ceiling structure. Holes provided for chain mounting support to building structure.

FINISH

Phosphate coated, highly reflective, baked, white enamel.

PLASTIC

Standard diffuser is a clear, prismatic, pattern #12 extruded acrylic lens, designed for high efficiency and low glare illumination. Optional shielding is available.

ELECTRICAL

Fixtures and components are all assembled by I.B.E.W. union workers, and NYC approved.

Knockouts are provided on the back and ends for all types of wiring.

LED

40w 4 LG Boards 4600 Lumens
Inventronics Driver
0-10v Dimming

525	-	EL	-	-	-	-	= Product Number
Series	Description	# of Lamps	Wattage	Size	Voltage	Options	
Economy Layin		40w - LED	1x4	UNV		EM - Emergency Ballast 35K - 3500 Kelvin* 41K - 4100 Kelvin .125 - Prismatic Plastic** Lexan - Unbreakable Plastic	
Economy Layin				(Product Number eg.: 400-PV-214-T-277-R)			
				*Standard			