

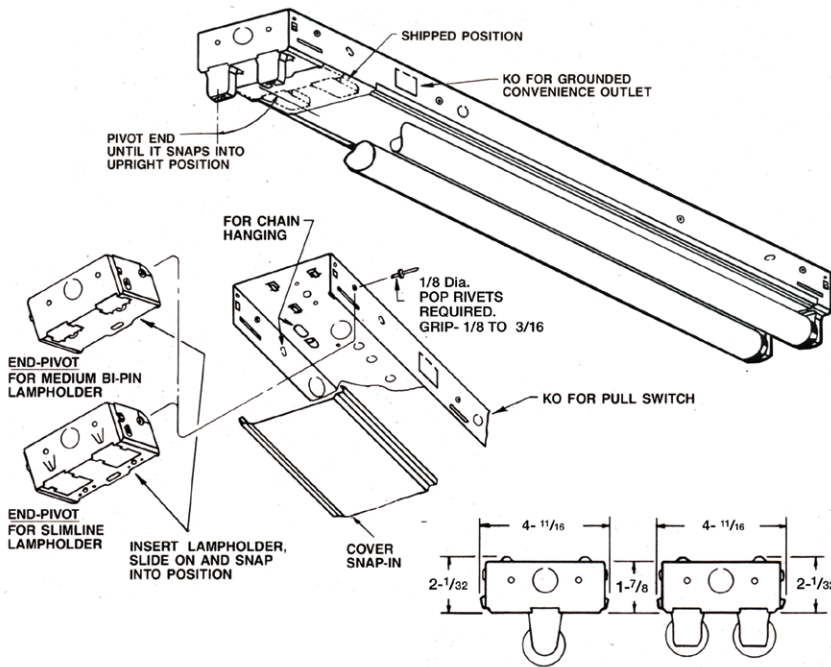


400 Pivot Pan



APPLICATIONS

General Lighting Warehouses, Stairwells, Displays, Coves, Storage rooms, Manufacturing areas.



CONSTRUCTION

With sockets attached, ends can be folded down inside of body to protect sockets and provide for compact shipping and storage. When rotated 90 degrees into upright position, the ends snap in and lock.

The economy pan, a basic all purpose fluorescent light fixture, has a wide range of applications.

Die formed of 20 gauge cold rolled steel, Side knockouts are included for a convenient outlet switch and conduit. Chain hanger slots are also provided on the sides and back.

Snap on pan cover is fabricated in two pieces for 96" bodies for easy installation. Ends pop into position and accept slide-on or screw-on sockets.

MOUNTING

Fixtures are designed for surface, stem, or chain hanging. Can be installed as individual units or in continuous rows.

FINISH

Phosphate coated, highly reflective, baked, white enamel.

ELECTRICAL

Fixtures and components are all assembled by I.B.E.W. union workers, and are UL and NYC approved.

Knockouts are provided on the back and ends for all types of wiring.

Slide-on or snap-in sockets are provided.

Ballast and sockets are replaceable without removing the fixture from the mounting surface.

Standard ballasts are electronic 120v

OPTIONS

Check product key or consult factory for available options.

400 - PV - - - - = Product Number

Series	Description	# of Lamps	Wattage	Size	Voltage	Options
400	Pivot Pan	2	20-20w T12	T-8'	120v	EM - Emergency Ballast
		3	30-30w T12	Tandem	UNV	R - Silver Reflector
			40-40w T12			
			17-17w T8			
			25-25w T8			
			32-32w T8			
			14-14w T5			
			21-21w T5			
			28-28w T5			
			24-24w T5-HO			
			39-39w T5-HO			
			54-54w T5-HO			
			HO - High Output			
			Dim - Dimmable Ballast			

Pivot Pan

(Product Number eg.: 400-PV-214-T-277-R)

White only available in T5 and T8. Only available in T5 and T8