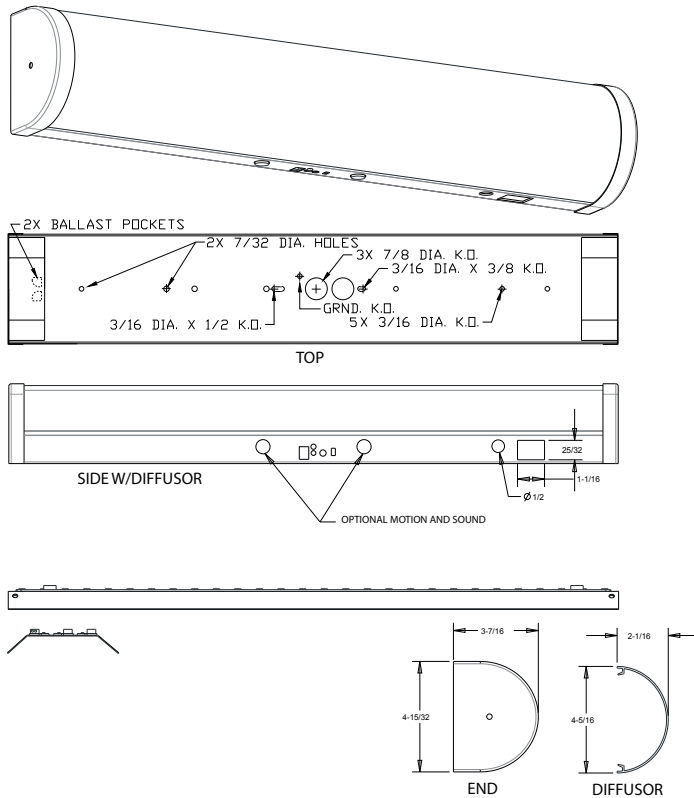
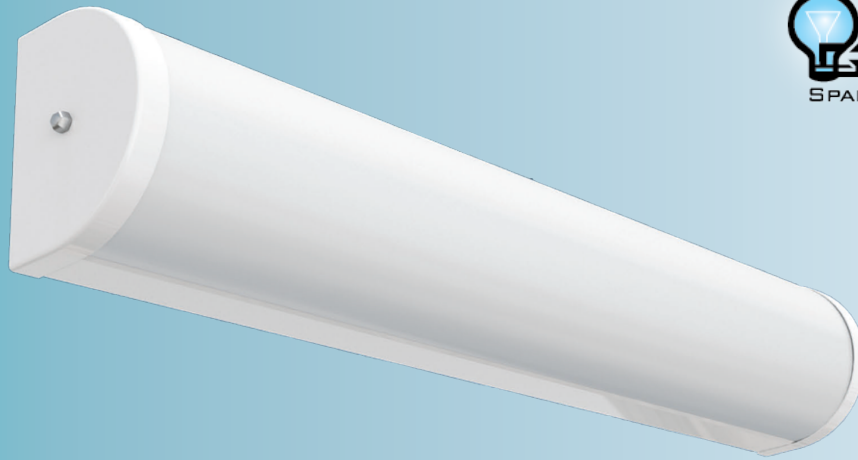


202 Wrap LED Bulbs



CONSTRUCTION

Die-formed and spot welded 20 gauge cold rolled steel housing.

Plastic is held in place on both ends by end caps with a single acorn type nut.

Spot welded for maximum rigidity.

MOUNTING

Wall mounted. Mounts over electrical junction box. Mounting holes are provided. End caps can be removed for continuous row mounting with optional joiner band.

FINISH

White. All ends powder coated.

PLASTIC

Acrylic Durayl® LED Smooth white standard

ELECTRICAL

Fixtures and components are all assembled by I.B.E.W. union workers, and NYC approved.

Knockouts are provided on the back and ends for all types of wiring.

Slide-on or snap-in sockets are provided.

OPTIONS

Check product key or consul factory for available options.

Fixture is designed for Direct Power LED Tubes. No Ballast Necessary.

202 - WR - [] - [] - [] - [] = Product Number

Series	Discription	# of Lamps	Wattage	Size	Voltage	Options
WR	aparound		120-LED	2ft	UNV	EM - Emergency Pack
			220-LED	2ft		MS - Motion Sensor
			140-LED	4ft		
			240-LED	4ft		

Wraparound

(Product Number eg.: 400-PV-214-T-277-R)