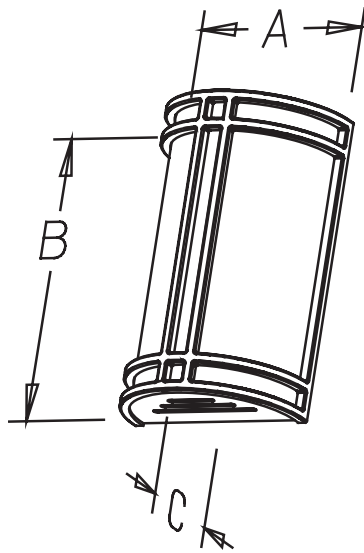


# HOPS3 Sconce



**APPLICATIONS**  
Corridors, Stairwells,  
Bathrooms, Office space



Dimensions	A	B	C
	7.5"	10.75"	4.00"

**CONSTRUCTION**

Sturdy die-formed, 20 guage pre-painted steel housing. This ADA COMPLIANT enclosed and vented half cylinder sanded or smooth white acrylic diffuser is accentuated by a faux finished grid trim.

**MOUNTING**

Wall mounting. Mounts over electrical junction box. Mounting holes are provided. Lens mounts to housing via top and bottom screws.

**FINISH**

Pre-painted steel housing.

**PLASTIC**

Smooth or sanded white acrylic diffuser.

**ELECTRICAL**

Fixtures and components are all assembled by I.B.E.W. union workers, and are UL and NYC approved.

Knockouts are provided on the back and ends for all types of wiring.

Slide-on or snap-in sockets are provided.

Ballast and sockets are replaceable without removing the fixture from the mounting surface.

Standard ballasts are electronic 120v.

**OPTIONS**

Check product key or consult factory for available options.

**HOPS3** - **SC** - [ ] - [ ] - [ ] - [ ] = **Product Number**

Series	Description	# of Lamps	Wattage/Size	Voltage	Options
	<b>SConce</b>	2	13 - 13w PL lamp 4 Pin 18 - 18w PL lamp 4 Pin 26 - 26w PL lamp 4 Pin	<b>UNV</b>	<b>SV</b> - Sienna Verde <b>FB</b> - Flat Black <b>WH</b> - White <b>AB</b> - Antique Bronze <b>AP</b> - Antique Pewter  <b>Diffuser Finishes</b> <b>SD</b> - Sanded <b>SM</b> - Smooth

**New Concept**

(Product Number eg.: 400-PV-214-T-277-R)