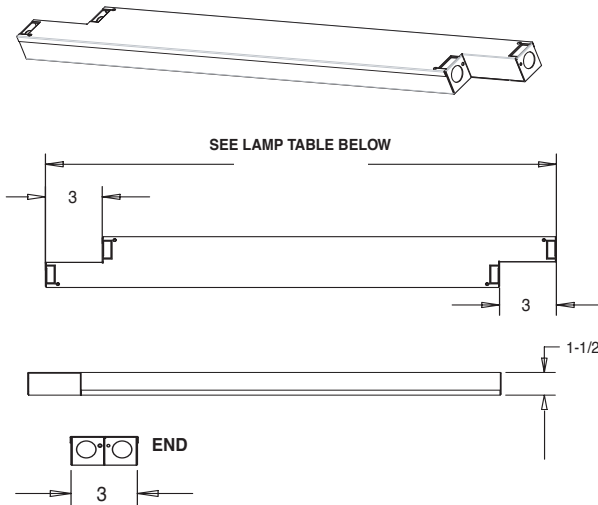


683 Staggered Strip



APPLICATIONS
Cove Lighting, Retail Store, Signage, Display



SEE LAMP TABLE BELOW

REV 3-1-05

T5	
SIZE	LENGTH
(2) 14W	25-7/16
(2) 21W	37-9/32
(2) 28W	49-1/16
(4) 21W (T)	71-9/16
(4) 28W (T)	95-1/8

T8	
SIZE	LENGTH
(2) 17W	27
(2) 25W	39
(2) 32W	51
(4) 25W (T)	75
(4) 32W (T)	99

CONSTRUCTION

Die and brake formed 20 guage pre-painted white cold-rolled steel housing. End caps may be joined for continuous row mounting. Knockouts are provided on ends for through wiring.

MOUNTING

Designed for surface mounting. Mounting holes provided.

FINISH

Phosphate coated, highly reflective, baked white enamel.

ELECTRICAL

Fixtures and components are all assembled by I.B.E.W. union workers, and are UL and NYC approved.

Knockouts are provided on the back and ends for all types of wiring.

Slide-on or snap-in sockets are provided.

Ballast and sockets are replaceable without removing the fixture from the mounting surface.

Standard ballasts are electronic 120v.

OPTIONS

Check product key or consult factory for available options.

683 - ST - [] - [] - [] - [] = Product Number

Series	Description	# of Lamps	Wattage/Size	Voltage	Options
STaggered Strip		1	20-20wT12	120v	EM - Emergency Ballast
		2	30-30wT12	277v	HO - High Output *
			40-40wT12	UNV	DIM - Dimmable Ballast
			17-17wT8		
			25-25wT8		
			32-32wT8		
			14-14wT5		
			21-23wT5		
			28-28wT5		
			24-24wT5-HO		
			39-39wT5-HO		
			54-54wT5-HO		

* Only available in T5

(Product Number eg.: 400-PV-214-T-277-R)