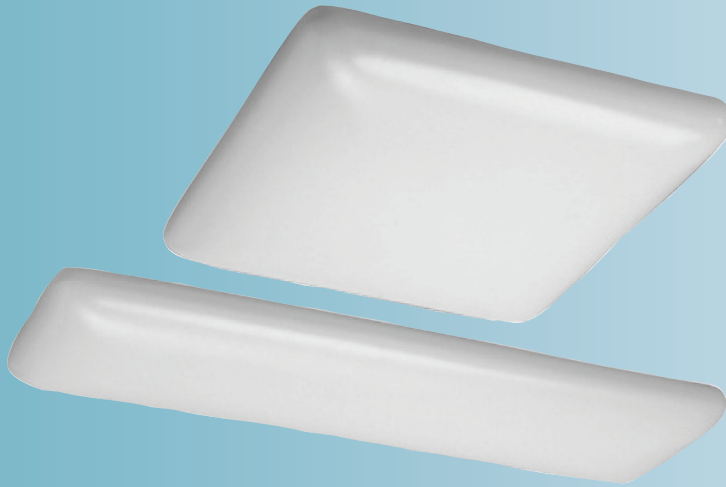
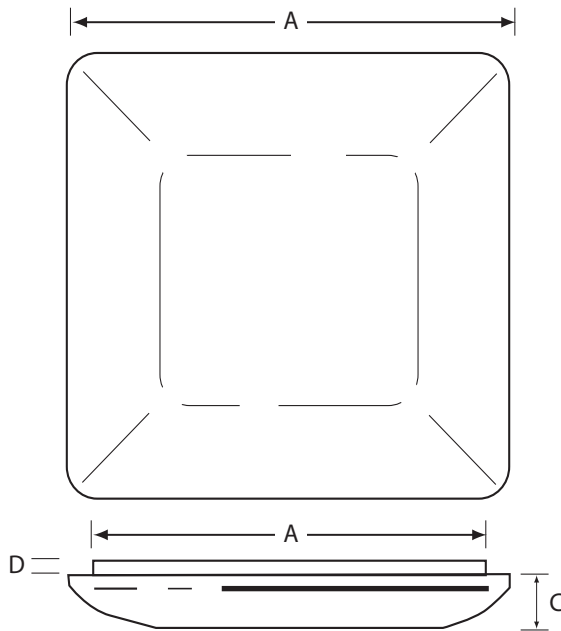


655 Puff Reverse



APPLICATIONS

Hallways, Kitchens, Recreation Rooms, Commercial, Residential, Hospitality



A	B	C	D
12"	10 1/2"	2 5/8"	3/8"
14 1/2"	12 5/8"	2 3/4"	3/8"
19 1/2"	17 3/4"	2 7/8"	3/8"

CONSTRUCTION

Sturdy, die-formed, 20 gauge, pre-painted white, steel housing. Available in 19" or 15" square housing.

This diffuser family has an unobtrusive rounded cornered Puff design motif, which allows it to be used in a variety of interior design schemes.

MOUNTING

Designed for ceiling mounting. Mounts over electrical junction box. Mounting holes are provided.

FINISH

Phosphate coated, highly reflective, baked white enamel.

OPTICS

Diffusers are available in smooth, injection-molded white acrylic.

ELECTRICAL

Fixtures and components are all assembled by I.B.E.W. union workers, and are UL and NYC approved.

Knockouts are provided on the back and ends for all types of wiring.

Slide-on or snap-in sockets are provided.

Ballast and sockets are replaceable without removing the fixture from the mounting surface.

Standard ballasts are electronic 120v.

OPTIONS

Check product key or consult factory for available options.

655	-	PR	-		-		-		-		=	Product Number
Series	Description	# of Lamps	Wattage	Size	Voltage	Options						
	Puff Reverse		32-32w Circleline 54-22/32w Circleline 72-32/40w Circleline		120v							
Puff Reverse												
(Product Number eg.: 400-PV-214-T-277-R)												