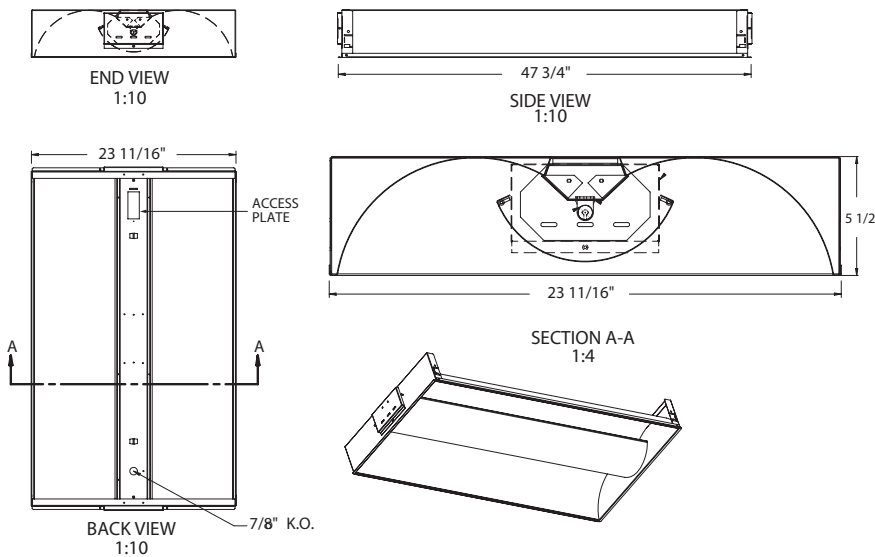


# 525 Center Basket



### APPLICATIONS

Offices, Class Rooms,  
Retail Stores, Hospitals



### CONSTRUCTION

Die formed and spot welded, heavy-gauge, cold rolled, steel housing assembly. Precision formed, cold rolled steel reflector. Die-formed, perforated cold rolled steel shielding. Metal shielding flexes over mounting studs on housing for easy installation and relamping. Wiring access plate is provided on back of housing, for flexible conduit attachment.

### MOUNTING

Holes provided for chain mounting support to building structure.

### FINISH

Powder painted matte white visible surfaces.

### PLASTIC

Shields are perforated for direct illumination and contain a translucent opal white acrylic overlay diffuser.

### ELECTRICAL

Fixtures and components are all assembled by I.B.E.W. union workers, and are UL and NYC approved. Knockouts are provided on the back and ends for all types of wiring. Slide-on or snap-in sockets are provided. Ballast and sockets are replaceable without removing the fixture from the mounting surface. Standard ballasts are electronic 120v.

### OPTIONS

Check product key or consult factory for available options.

525	-	CB	-		-		-		-		=	Product Number
Series	Description	# of Lamps	Wattage	Size	Voltage	Options						
	Center Basket	2	40-40wT5 biax	2x2	120v	EM - Emergency Ballast						
		3	32-32wT8	2x4	277v	Dim - Dimmable Ballast						
					UNV							
<b>Center Basket</b>												
(Product Number eg.: 400-PV-214-T-277-R)												