

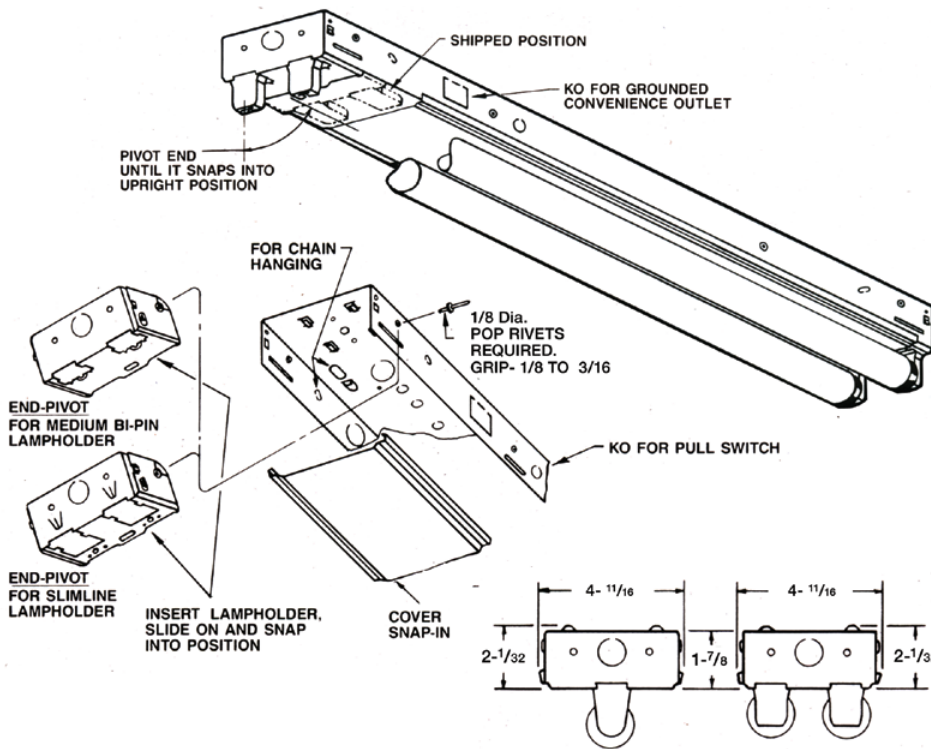


400 Pivot Pan



APPLICATIONS

General Lighting Warehouses, Stairwells, Displays, Coves, Storage rooms Manufacturing areas.



CONSTRUCTION

With sockets attached, ends can be folded down inside of body to protect sockets and provide for compact shipping and storage. When rotated 90 degrees into upright position, the ends snap in and lock.

The economy pan, a basic all purpose fluorescent light fixture, has a wide range of applications.

Die formed of 20 gauge cold rolled steel, Side knockouts are included for a convenient outlet switch and conduit. Chain hanger slots are also provided on the sides and back.

Snap on pan cover is fabricated in two pieces for 96" bodies for easy installation. Ends pop into position and accept slide-on or screw-on sockets.

MOUNTING

Fixtures are designed for surface, stem, or chain hanging. Can be installed as individual units or in continuous rows.

FINISH

Phosphate coated, highly reflective, baked, white enamel.

ELECTRICAL

Fixtures and components are all assembled by I.B.E.W. union workers, and are UL and NYC approved.

Knockouts are provided on the back and ends for all types of wiring.

Slide-on or snap-in sockets are provided.

Ballast and sockets are replaceable without removing the fixture from the mounting surface.

Standard ballasts are electronic 120v

OPTIONS

Check product key or consult factory for available options.

400	-	PV	-		-		-		-		=	Product Number
Series	Description	# of Lamps	Wattage	Size	Voltage	Options						
PIVOT PAN		2	20-20wT12	T-8' Tandem	120v	EM - Emergency Ballast						
		3*	30-30wT12		277v	WG - Wire Guard						
			40-40wT12	UNV	R - Silver Reflector							
			17-17wT8		HO - High Output**							
			25-25wT8		Dim - Dimmable Ballast							
			32-32wT8									
			14-14wT5									
			21-21wT5									
			28-28wT5									
			24-24wT5-HO									
			39-39wT5-HO									
			54-54wT5-HO									
		Pivot Pan										
* White only, available in T5 and T8												
** Only available in T5												
(Product Number eg.: 400-PV-214-T-277-R)												