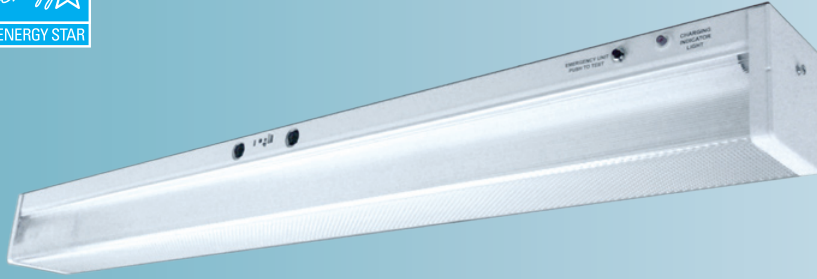
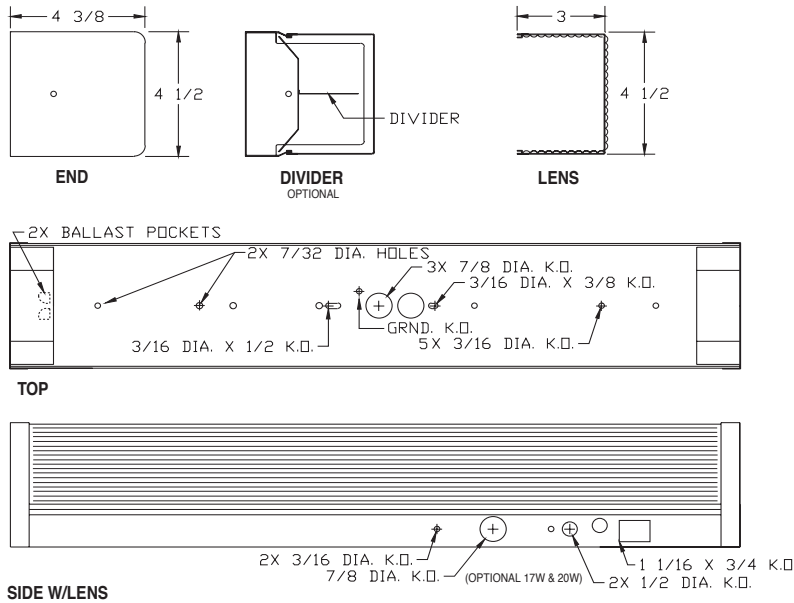


213 Wall Wrap Motion



APPLICATIONS

Corridors, Stairwells, Bathrooms



CONSTRUCTION

Die-formed and spot welded 20 gauge cold rolled steel housing.

Plastic is held in place on both ends by end caps with a single acorn type nut.

Spot welded for maximum rigidity.

MOUNTING

Wall or ceiling mounted. Mounts over electrical junction box. Mounting holes are provided.

End caps can be removed for continuous row mounting with optional joiner band.

FINISH

Phosphate coated, highly reflective, baked, white enamel. Also available in white, walnut, chrome, oak or brass.

PLASTIC

Acrylic, clear prismatic, standard diffuser or acrylic, smooth white diffuser.

ELECTRICAL

Fixtures and components are all assembled by I.B.E.W. union workers, and are UL and NYC approved.

Knockouts are provided on the back and ends for all types of wiring.

Slide-on or snap-in sockets are provided.

Ballast and sockets are replaceable without removing the fixture from the mounting surface.

Standard ballasts are electronic 120v.

OPTIONS

Check product key or consult factory for available options.

213 - WRM - [] - [] - [] - [] = Product Number

Series	Description	# of Lamps	Wattage	Size	Voltage	Options
WRapMotion		1	32-32wT8		120v	CO - Conv. Outlet
		2	17-17wT8		277v UNV	SW - Switch WH - Smooth white plastic EM - Emergency Ballast Dim - Dimmable Ballast MS - Motion Sensor MH - Mouse Hole Ends

Wraparound

(Product Number eg.: 400-PV-214-T-277-R)